

Introducing the new **variable speed chiller** with DC inverter technology

Inverter DC 50 and DC 65

- * 10,000 to 50,000 Btu (DC 50) or 12,000 to 65,000 Btu (DC 65) from a single-compressor air conditioning system.
- * **Water cooled inverter.**
- * **Innovative Climma control delivers modulated power.**
- * **ECO mode.**
- * **Zero start-up load.**
- * **Up to 50% energy savings!**



True world-wide compatibility - Can be used on both 50Hz and 60Hz power

The new Climma DC Inverter chiller is the result of careful design and innovation based on over 40 years manufacturing experience to optimise the energy efficiency of marine air-conditioning chillers. Climma's DC chiller is driven by their unique water cooled inverter lowering the power requirement by up to 50% compared to traditional chillers.

Variable Output from a Single Air-conditioning Unit

Climma's new DC chiller is programmed to run at the optimum speed; depending on the heat load requirements, the compressor frequency varies controlling the output capacity from 10,000 to 50,000 Btu (DC 50), or from 12,000 to 65,000 Btu (DC 65).

Unique Water Cooled Inverter

Unique in the marine industry, Climma's water cooled inverter protects the compressor from excessive temperature and irregular voltage supply, allowing it to be installed in the engine room without additional ventilation.

Climma Intelligent Control

Heating and cooling capacity is managed by the Climma Intelligent Control unit (CIC) which uses specially configured algorithms to ensure maximum efficiency.

ECO mode

Climma DC chillers provide further efficiency gain through a special ECO mode. ECO mode enables the chiller to work when only a courtesy/night generator is working or even while on the dock with a limited shore power supply.

Zero Starting Load

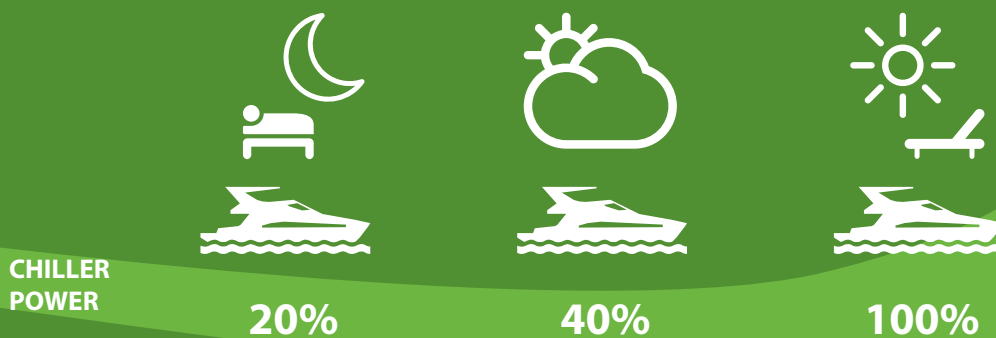
Climma DC chillers require no starting amps. Compressor starts at 0 RPM and slowly increase up to the working speed.



THE PRODUCT

CLIMMA CWS DC INVERTER LINE

Introducing the new variable speed chiller with DC inverter technology.

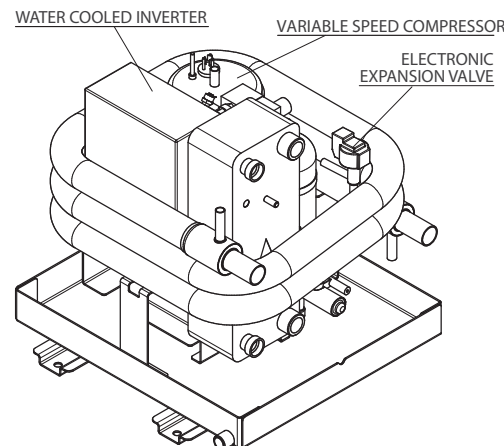


Operating on a sunny day, when the heat load request is high, the system will run at full speed; while at night, when the heat load is lower, the inverter technology will automatically regulate the compressor to run at the minimum requested speed.

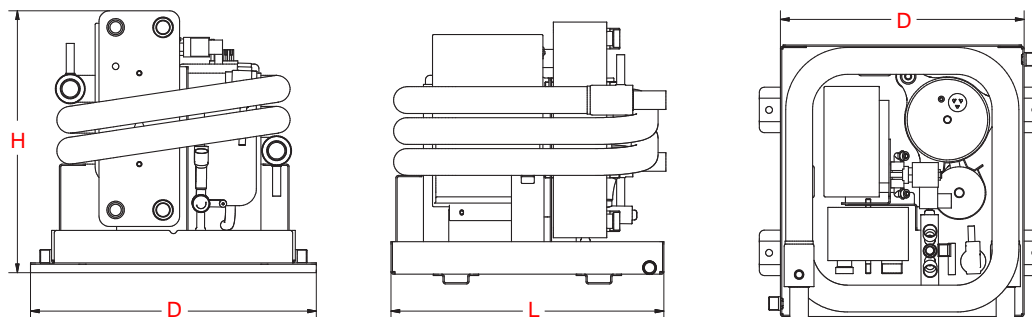
Inverter DC 50 and DC 65

TECHNICAL SPECIFICATIONS

	DC50	DC65
POWER SUPPLY	230V/1/50-60Hz	230V/1/50-60Hz
CAPACITY (COOL MODE)	10,000 - 50,000 Btu	12,000 - 65,000 Btu
CAPACITY (HEAT MODE)	4 kW - 16 kW (13k - 55k Btu)	5kW - 20,5kW (17k - 70k Btu)
POWER CONSUMPTION (A) - COOL MODE	3 A - 18 A	3A - 23A
POWER CONSUMPTION (kW) - COOL MODE	0,5 kW - 4 kW	0,5kW - 5,2kW
START CURRENT (A)	0 A	0 A
FRESH WATER FLOW	1,000 GPH	1,500 GPH
SEA WATER FLOW	1,000 GPH	1,500 GPH
SEA WATER TEMP. (HEAT MODE)	> 5°C / 40F	> 5 °C / 40F
SEA WATER TEMP. (COOL MODE)	< 40 °C / 100F	< 40 °C / 100F
REFRIGERANT	R410a	R410a
DIMENSIONS LxDxH	16.5" x 14.8" x 17.8"	19.6" x 16.6" x 17.9"
ELECTRICAL BOX LxDxH	9.5" x 7.5" x 3.5"	9.5" x 7.5" x 3.5"
WEIGHT	48kg / 106lbs	50kg / 110lbs
Power consumption at 10.000 Btu/h	3A - 0,5kW	NA
Power consumption at 13.000 Btu/h	-	3,2A - 0,5kW
Power consumption at 30.000 Btu/h	8,5A - 2 Kw	10A - 2,2kW
Power consumption at 40.000 Btu/h	13,5A - 3 kW	13,5A - 3kW
Power consumption at 50.000 Btu/h	18A - 4 kW	18A - 4,2kW
Power consumption at 65.000 Btu/h	NA	23A - 5,2kW



Seawater and circulating water hose connections 1" dia (25mm)



VECO NA
Bowie Md. USA
PO Box 3518, Annapolis Md. 21403
e-mail: info@veco-na.com

