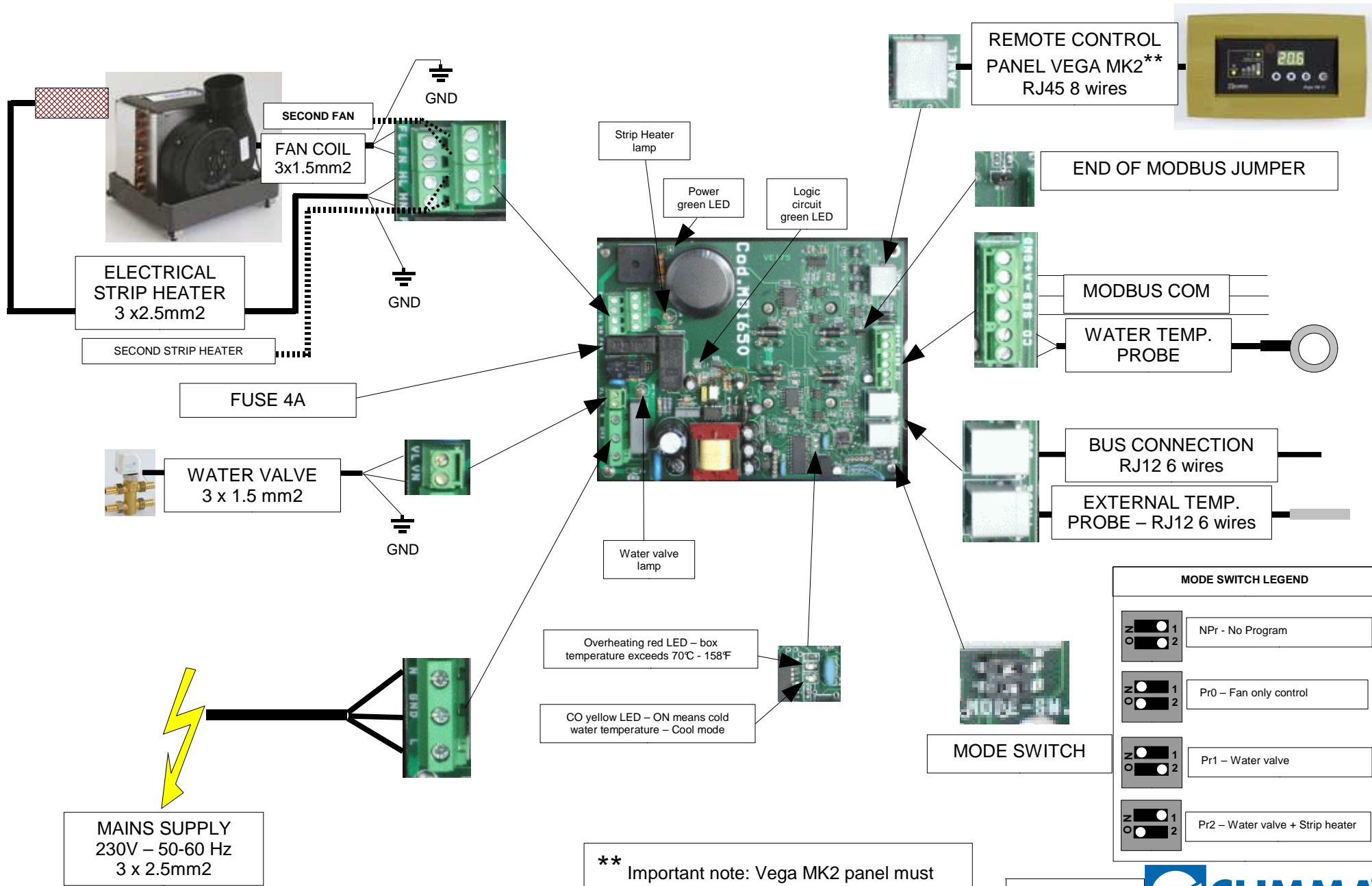


PWM2 FAN COIL CONTROL ELECTRICAL SCHEMATIC



MODE SWITCH LEGEND	
	NPr - No Program
	Pr0 - Fan only control
	Pr1 - Water valve
	Pr2 - Water valve + Strip heater

** Important note: Vega MK2 panel must have the sw release 5.0 or higher

C 844 03/11

