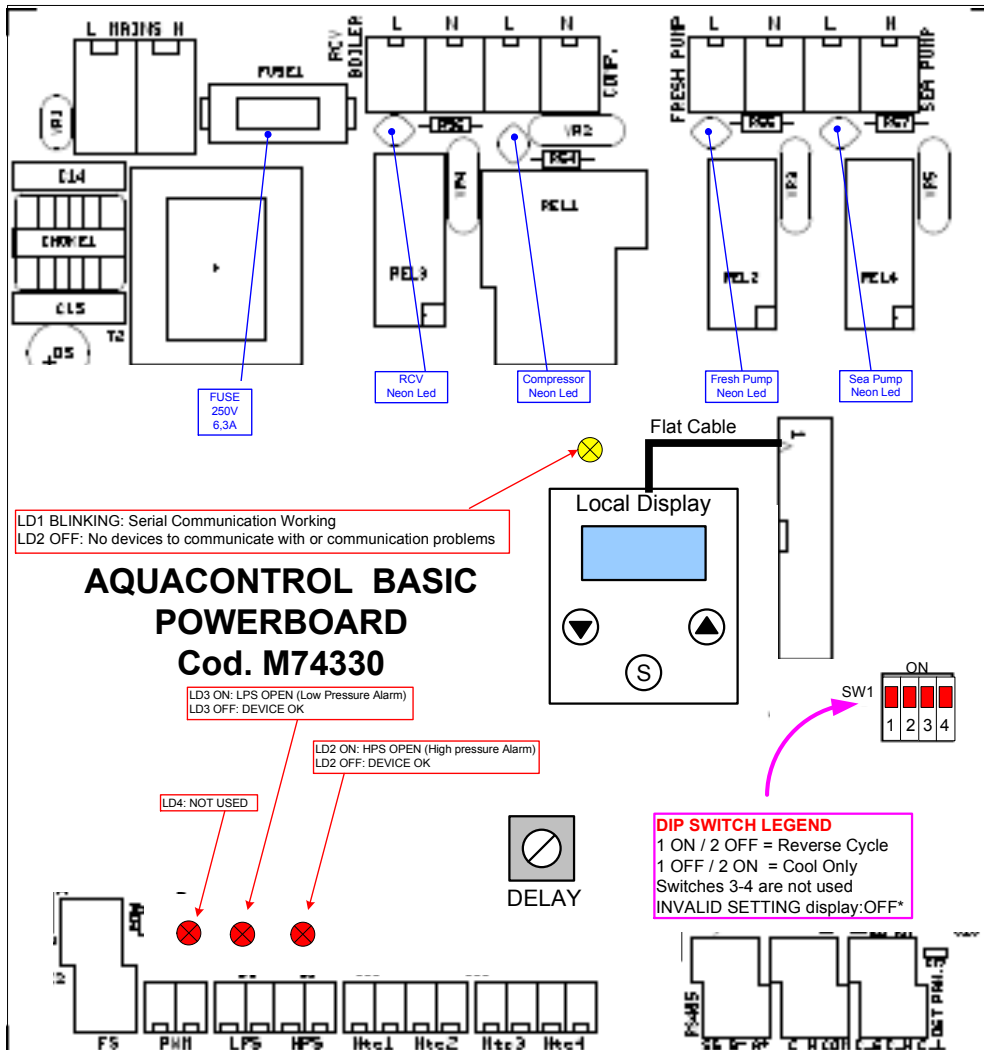
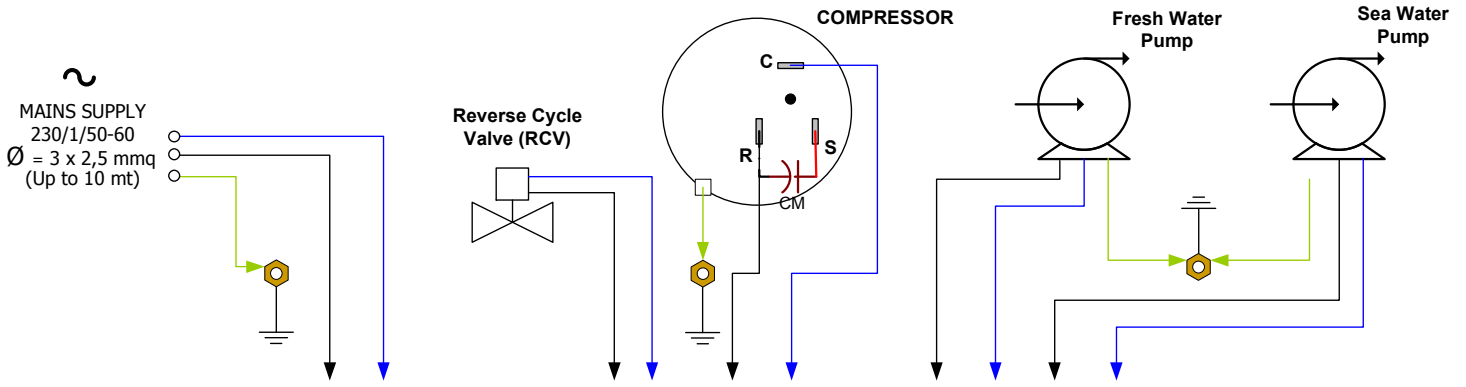
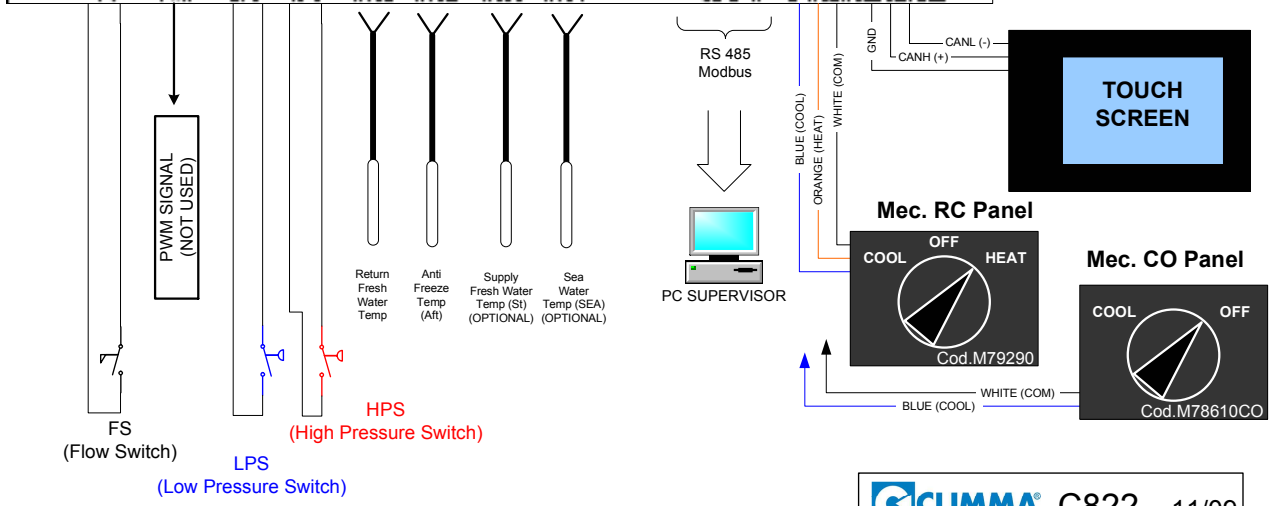


CWS AQUACONTROL POWERBOARD CONNECTIONS

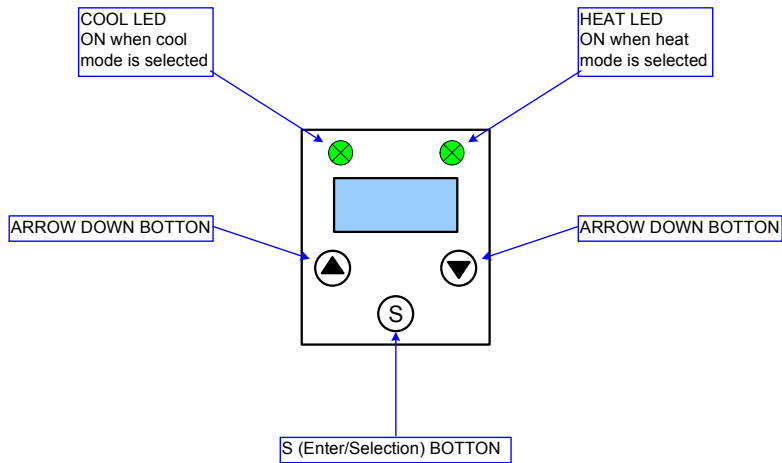


IMPORTANT NOTE:
Local control shows/sets temperatures, parameters, setpoints, alarms but can't switch on/off the system. To switch on/off CWS system need to use mechanical panel or touch screen

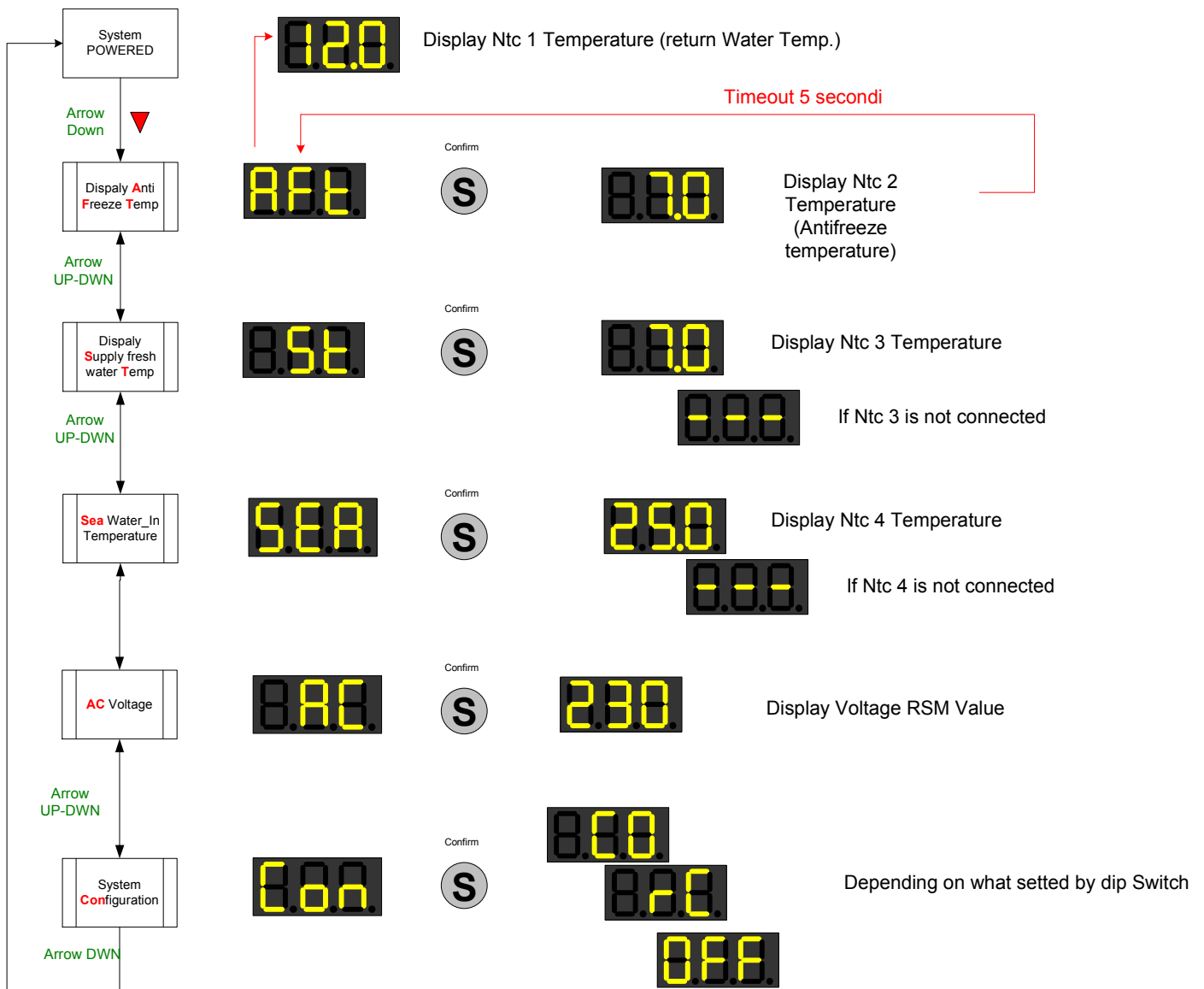
* To see setted configuration press Arrow down 5 time (till CON is shown on display) then press S to enter and see system configuration.



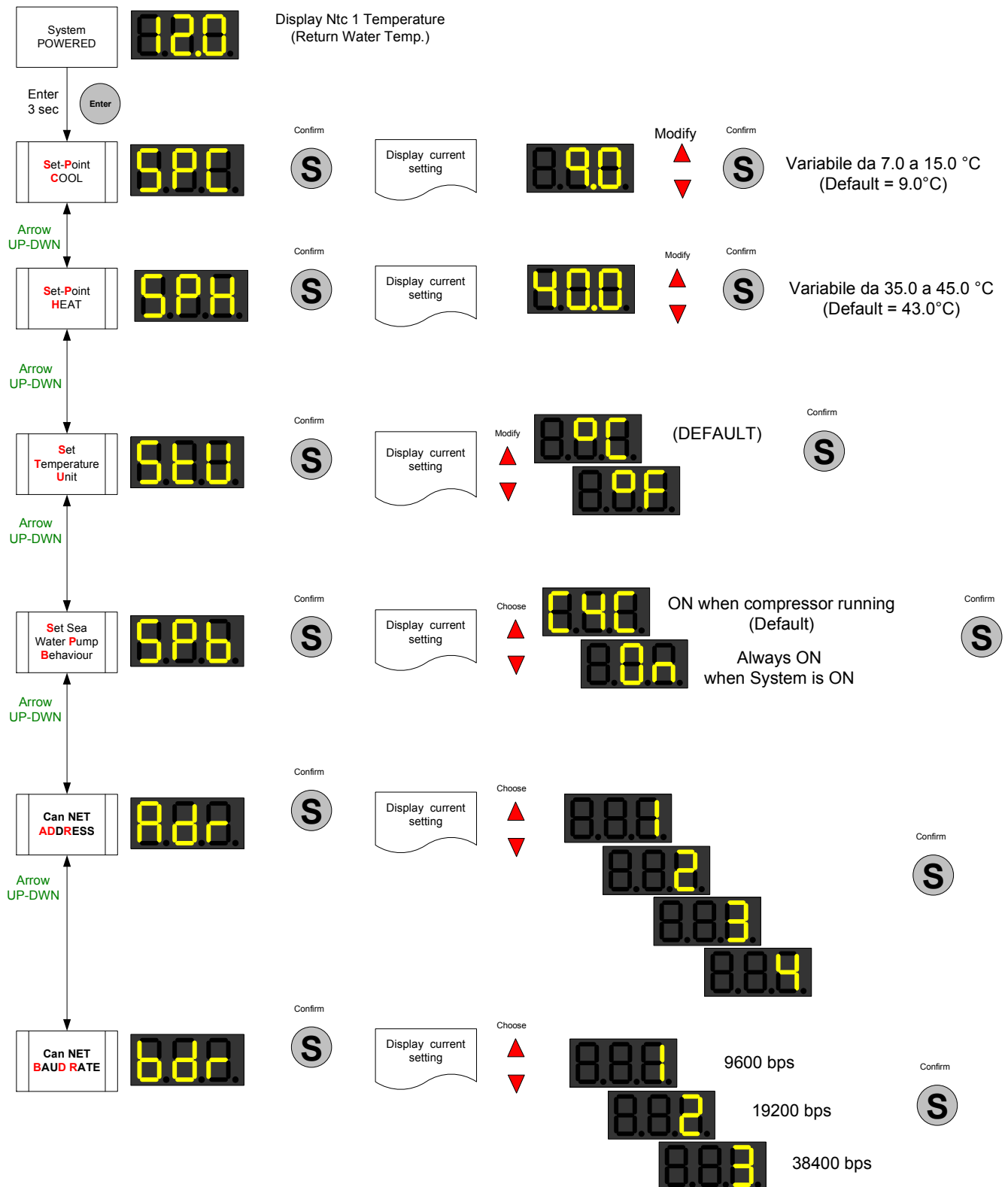
CWS AQUACONTROL LOCAL DISPLAY



CWS AQUACONTROL LOCAL PANEL VISUALIZATIONS



CWS AQUACONTROL LOCAL PANEL PARAMETERS



CWS AQUACONTROL LOCAL PANEL ALARMS VISUALIZATION

System
POWERED

12.0

Display Ntc 1 Temperature
(Return Water Temp.)

FIRST TIME

SECOND TIME

THIRD TIME

High
Pressure
Alarm

HP1

Auto Reset

HP2

Auto Reset

HP3

Manual Reset:
Switch OFF & ON

FIRST TIME

SECOND TIME

THIRD TIME

Low Flow
Alarm

FL1

Auto Reset

FL2

Auto Reset

FL3

Manual Reset:
Switch OFF & ON

FIRST TIME

SECOND TIME

THIRD TIME

Low Pressure
Alarm

LP1

Auto Reset

LP2

Auto Reset

LP3

Manual Reset:
Switch OFF & ON

FIRST TIME

SECOND TIME

THIRD TIME

Antifreeze
Alarm

AF1

Auto Reset

AF2

Auto Reset

AF3

Manual Reset:
Switch OFF & ON

Antifreeze
sensor
Failure

FFF

STOPS THE SYSTEM

Return water
sensor (ntc1)
Failure

ASF

STOPS THE SYSTEM